

Secure Check Box™ Walk-Up

Installation Guide For HP LaserJets & MFPs with HP FutureSmart USB(3)



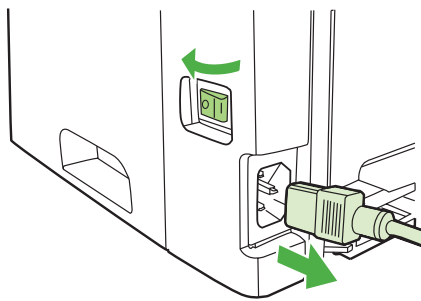
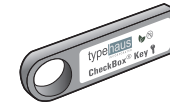
Introduction:

The Secure CheckBox Walk-Up is composed of two (2) USB devices (shown to the right)

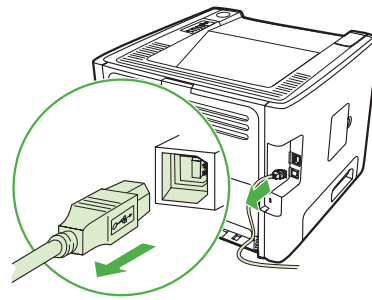
The Secure CheckBox Walk-Up is installed into the mainboard inside the printer. The Secure CheckBox Key is inserted into the USB slot on the outside of the printer when needed, and removed from the printer when the user is finished using the resources.

1 Secure CheckBox® Walk-Up

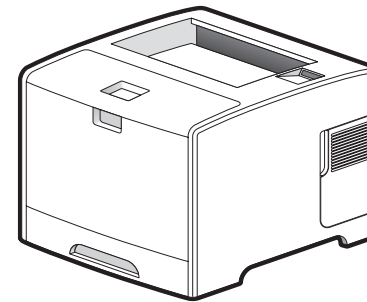
2 Secure CheckBox® Key



- 1 Use the power switch to turn off the printer and then unplug the power cord from the printer.

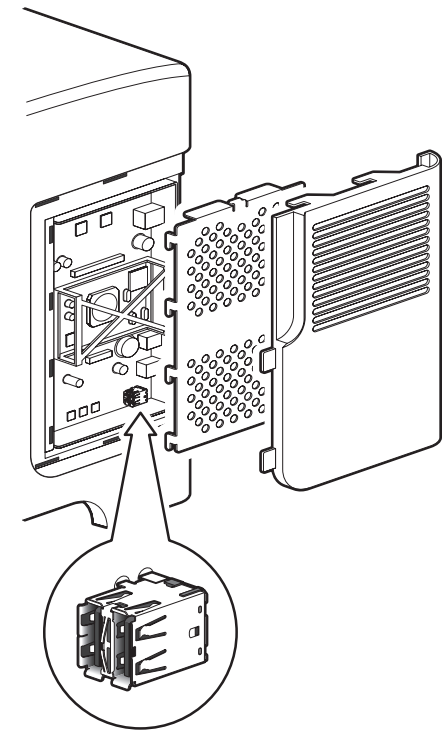


- 2 Unplug all remaining cables and cords from the printer.



- 3 Locate the access door located on the side of the printer. The location can vary by model.

- 4 Open the access door and metal shield. On some models the door and shield may remove completely.



- 5 Locate the USB connectors. The number of USB connectors, and the location and orientation can vary by model.

- 7 Close the shield and access door, reconnect all cables and cords, then turn the power switch on.

(See "Secure CheckBox® Key Installation & Test" on the reverse of this page to continue.)



- 6 Insert the solution into any open USB connector inside the printer. The solution will only insert in one orientation. If it does not insert easily, rotate it and try again. Never use strong force. Strong force may damage

Secure Check Box™ Walk-Up

Key Installation & Test
For HP LaserJets & MFPs with HP FutureSmart USB(3)

typehaus
INCORPORATED

Please follow these testing steps after completing the installation instructions on the other side of this document.

Testing

The Secure CheckBox Key contains a Test Directory. Follow these instructions to test your secure resources.

Copy the Test Directory to a local machine.

1. Insert Secure CheckBox Key into your computer.
2. Copy the Test Directory to your Desktop or other location on your computer.
3. Remove the Secure CheckBox Key from your Computer.

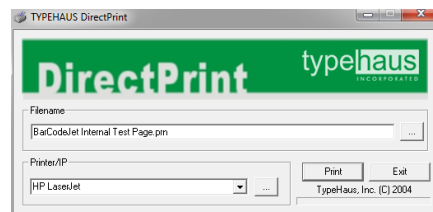
Install Secure CheckBox Key into USB slot on the printer where the Internal Secure CheckBox is installed.



Testing (cont)

Print the Test File

1. Open the Test Directory on your Desktop.
2. Drag and drop the “_TEST.txt” file into the DirectPrint Icon.
3. Select the print queue from the drop down list, and click “Print”.
4. Match your output to the output indicated on your Project Information Index PDF.



Documentation

The Secure CheckBox Key contains a PDF document specially prepared for your Secure CheckBox Walk-Up order. The document shows samples of your resources and the printer commands necessary to print those resources.

The name of this document file ends with “_Index.pdf”. The first part of the file name is a unique identifier for the TypeHaus Job associated with your order.

Most computers already have installed the “Adobe Acrobat Reader” for displaying and printing PDF files. You should be able to simply double-click on the file to display it.

If your computer needs the “Adobe Acrobat Reader” software, it is a free download from www.adobe.com.

Congratulations!

You are now ready to the print using the custom resources contained in the Secure CheckBox Key for your Secure CheckBox Walk-Up.

HP JetAdvantage
Silver Solution Partner 

TypeHaus Reorder Part Numbers:
Secure CheckBox® Walk-Up: 11B54L-00
Secure CheckBox® Key: 11B54W-50

760.334.3555
www.typehaus.com

© 2019 TypeHaus, Inc. All rights reserved. (50064-190523A)