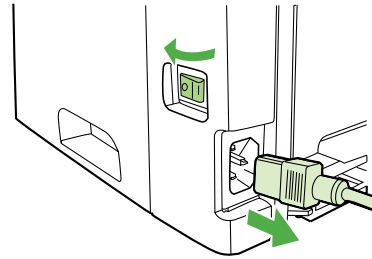


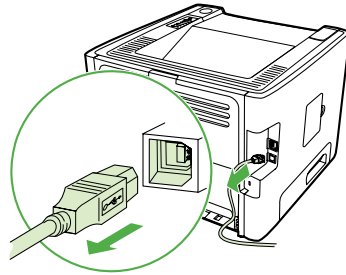
Installation & Test Guide

For HP LaserJets & MFPs with 100 Pin DIMM (Reversed)



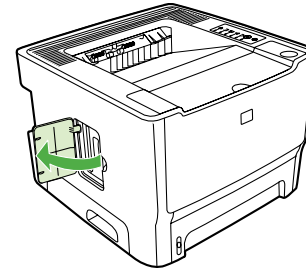
1

Use the power switch to turn off the printer and then unplug the power cord from the printer.



2

Unplug all remaining cables and cords from the printer.

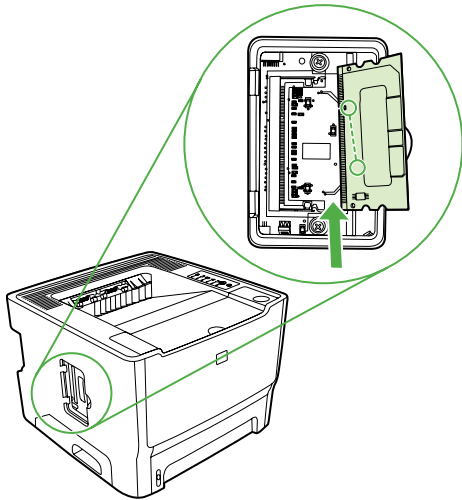
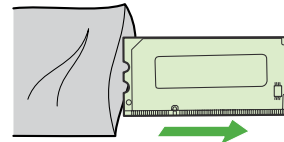


3

Carefully open the DIMM access door located on the left side of the printer.

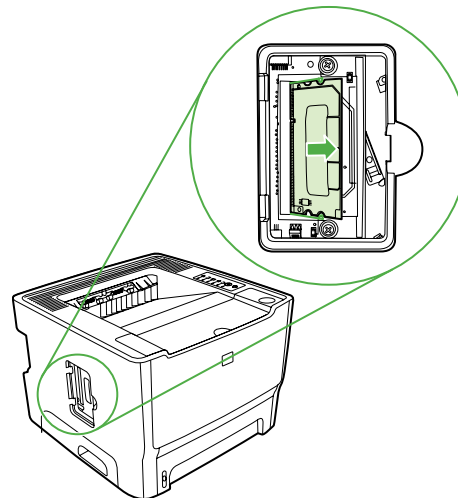
4

Remove the DIMM from the anti-static bag it came in, grasping the DIMM along the top edge away from the gold contacts.



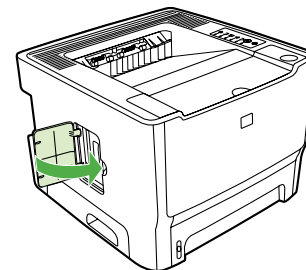
5

The DIMM has a notch cut in the edge between some of the gold contacts. Orient the DIMM so this notch aligns with the bump in the printer's connector and insert the DIMM into the connector.



6

Press the DIMM body in until the metal retaining pins click.



7

Close the DIMM access door, reconnect all cables and cords, then turn the power switch on.

Congratulations!

You are now ready to print bar codes (and more) using your printer. To test your BarCodes & More, simply use your printer's control panel to print a PCL Font List. On most printer models, select "Information" and then "Print PCL Font List".

See the reverse side of this sheet for an example of the first page of a PCL Font List showing the BarCodes & More fonts. The PCL Font List may vary a little between different printer models, but the bar code fonts will be shown somewhere in the list.

TypeHaus Reorder Part Number: 11B58R-20

Solutions
Business Partner



760.334.3555
www.typehaus.com

HP Color LaserJet

PCL Font List



USB STORAGE Resident Fonts

Font	Pitch/Point	Escape Sequence	Font #	Font_ID
UPC 10mi l	/12.0	<esc>(8Y<esc>(s1p12.0v0s0b0T	USB1 1	
UPC 3m	/12.0	<esc>(8Y<esc>(s1p12.0v0s3b0T	USB1 2	
USPS ZIP	/12.0	<esc>(15Y<esc>(s1p12.0v0s0b0T	USB1 3	
ABCDEFGHIjÄ°ÇÑ;¿£\$#00~^*{ }~123éà LtrGothic	16.67/9.5	<esc>(8U<esc>(s0p16.67h9.5v0s0b6T	USB1 4	
ABCDEFGHIjÄ°ÇÑ;¿£\$#00~^* LtrGothic	12.00/12.0	<esc>(8U<esc>(s0p12.00h12.0v0s0b6T	USB1 5	
ABCDEFGHIjÄ°ÇÑ;¿£\$#00~^* LtrGothic	10.00/14.0	<esc>(8U<esc>(s0p10.00h14.0v0s0b6T	USB1 6	
Line Draw	10.00/12.0	<esc>(0B<esc>(s0p10.00h12.0v0s0b0T	USB1 7	
ABCDEFGHIj OCR A	10.00/12.0	<esc>(00<esc>(s0p10.00h12.0v0s0b104T	USB1 8	
Code 3of9	8.11/12.0	<esc>(0Y<esc>(s0p8.11h12.0v0s0b0T	USB1 9	
Code 3of9	4.69/12.0	<esc>(0Y<esc>(s0p4.69h12.0v0s0b0T	USB1 10	
ABCDEFGHIj Ñ £ \$ # \$ OCR B	10.00/12.0	<esc>(10<esc>(s0p10.00h12.0v0s0b110T	USB1 11	
Code 128 wide	8.33/12.0	<esc>(2Y<esc>(s0p8.33h12.0v0s0b0T	USB1 12	
Code 128 wide	4.36/12.1	<esc>(2Y<esc>(s0p4.36h12.1v0s0b0T	USB1 13	

Internal Scalable and Bitmapped Fonts

Font	Pitch/Point	Escape Sequence	Font #	Font_ID
Courier	Scalable	<esc>([] <esc>(s0p [] h0s0b4099T	INTERNAL 0	
CG Times	Scalable	<esc>([] <esc>(s1p [] v0s0b4101T	INTERNAL 1	
CG Times Bold	Scalable	<esc>([] <esc>(s1p [] v0s3b4101T	INTERNAL 2	
<i>CG Times Italic</i>	Scalable	<esc>([] <esc>(s1p [] v1s0b4101T	INTERNAL 3	
<i>CG Times Bold Italic</i>	Scalable	<esc>([] <esc>(s1p [] v1s3b4101T	INTERNAL 4	
CG Omega	Scalable	<esc>([] <esc>(s1p [] v0s0b4113T	INTERNAL 5	
CG Omega Bold	Scalable	<esc>([] <esc>(s1p [] v0s3b4113T	INTERNAL 6	
<i>CG Omega Italic</i>	Scalable	<esc>([] <esc>(s1p [] v1s0b4113T	INTERNAL 7	
<i>CG Omega Bold Italic</i>	Scalable	<esc>([] <esc>(s1p [] v1s3b4113T	INTERNAL 8	

[] Pitch: 0.10 - 576 [] Symbol set [] Point size: 0.25 - 999.75
See your Printer User's Manual for more information.