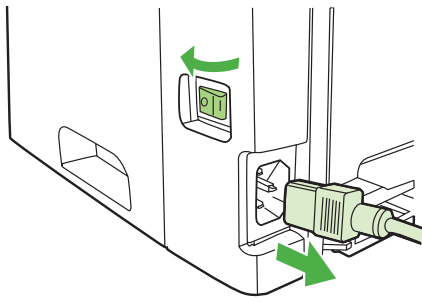


BarCodeJet® Internal

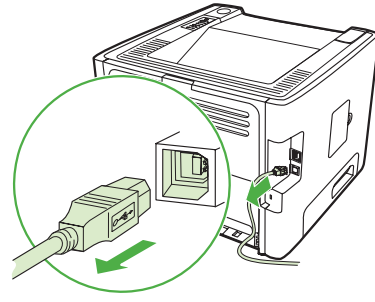
Installation & Test Guide For HP LaserJets & MFPs with HP FutureSmart USB(2)

typehaus
INCORPORATED

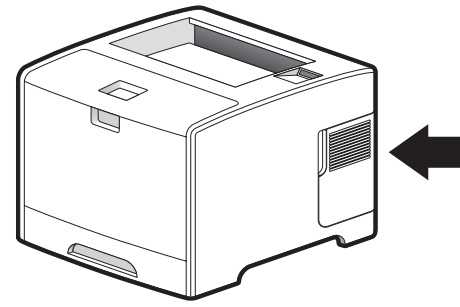
WARNING: Do not insert your BarCodeJet Internal USB device into your PC or system other than your printer. PCs and other systems can automatically erase the device. The device is only compatible with the USB connectors located *inside* your printer.



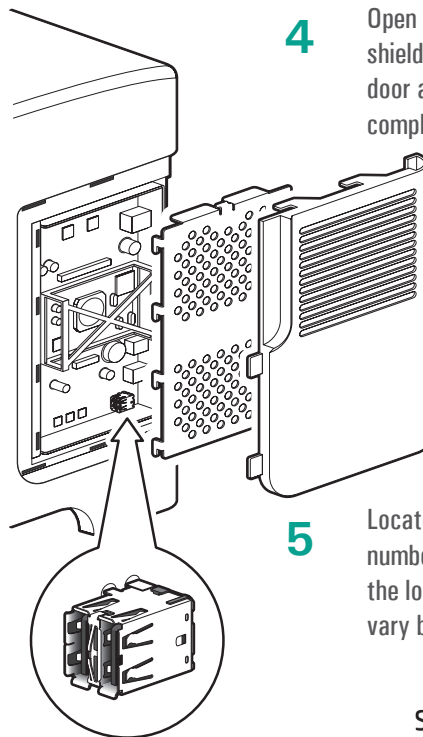
- 1 Use the power switch to turn off the printer and then unplug the power cord from the printer.



- 2 Unplug all remaining cables and cords from the printer.

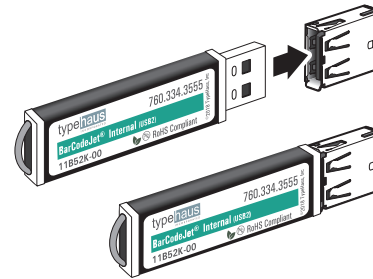


- 3 Locate the access door located on the side of the printer. The location can vary by model.



- 4 Open the access door and metal shield. On some models the door and shield may remove completely.

- 5 Locate the USB connectors. The number of USB connectors, and the location and orientation can vary by model.

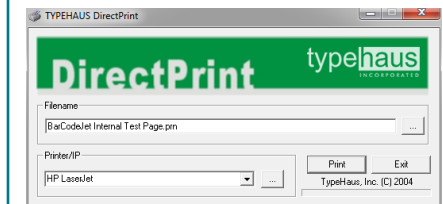


- 6 Insert the solution into any open USB connector inside the printer. The solution will only insert in one orientation. If it does not insert easily, rotate it and try again. Never use strong force. Strong force may damage your printer.

- 7 Close the shield and access door, reconnect all cables and cords, then turn the power switch on.

Congratulations!

You are now ready to print barcodes using your BarCodeJet. The TypeHaus web site has a Windows testing tool available for download. Take your browser to: <http://www.typehaus.com> Select Support ⇨ Downloads ⇨ BarCodeJet Internal. Download the TypeHaus DirectPrint utility and the BarCodeJet Test Page.



1. After downloading both files to your system, double click on DirectPrint.exe.
2. In the "Filename" section, click the "..." button. Browse to select the file "BarCodeJet Test Page.prn" you downloaded.
3. In the "Printer/IP" section, select the printer from the dropdown list or enter the IP address if it is attached to the network.
4. Select the "Print" button.
5. Compare the printed test page to the sample shown to the right.
6. Select the "Exit" button to close the application.

TypeHaus Reorder Part Number: 11B52K-00

HP JetAdvantage
Silver Solution Partner



760.334.3555
www.typehaus.com

© 2018 TypeHaus, Inc. All rights reserved. (50017-181217A)

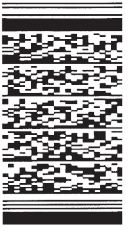
BarCodeJet® Internal

Test Page

MSI Plessey



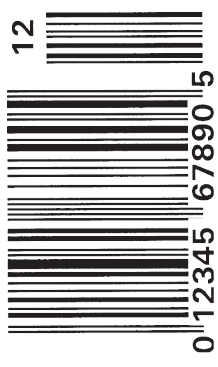
PDF417



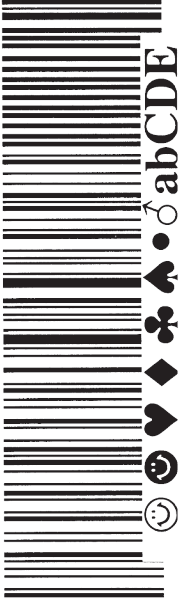
Code 39



UPC-A



Code 128 Auto A/B/C



Code 25 Industrial



EAN-13



EAN-8



Code 128C



© 2018 TypeHaus, Inc.
All rights reserved.
(3545-180808A)